



BS Earth & Environmental Science in 4 Years 2017-2018

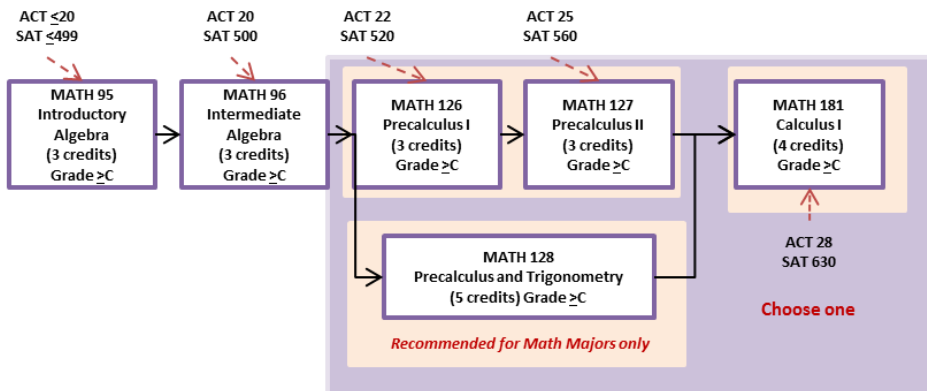
Department of Geoscience

Catalog Year: Fall 2017-2018 ♦ Catalog Expires: Summer 2028 ♦ Graduation: Spring 2021

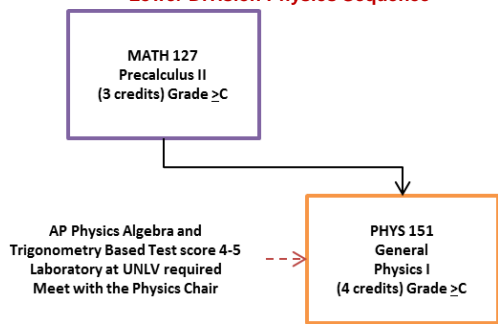
	First Semester		Second Semester	
	Course	Credits	Course	Credits
1st Year	→ ENG 101 English Composition I	3	→ ENG 102 Composition II	3
	→ Math course	4	→ GEOL 102 Earth and Life Through Time	4
	Choose First Year Seminar (SCI-101 recommended)	2	HIST 100 or PSC 101 US NV Consitution	4
	Any GEOL/GEOG 100-level course	4	→ Geology or other topics	2
	Choose Social Science Field 1**	3	Choose Fine Arts**	3
	Total First Semester:		16	Total Second Semester:
	Third Semester		Fourth Semester	
	Course	Credits	Course	Credits
2nd Year	→ GEOL 220 Mineralogy	4	→ Geology elective 200 level and above	4
	→ Geology elective 200 level and above	3	→ PHYS 151 General Physics I	4
	→ CHEM121A & 121L General Chemistry I	4	Choose Social Science Field 2**	3
	Choose Second Year Seminar	3	Choose Humanities Field 1**	3
				Choose Humanities Field 2**
Total Third Semester:		14	Total Third Semester:	
	Fifth Semester		Sixth Semester	
	Course	Credits	Course	Credits
3rd Year	→ GEOL 335 Earth Resources and the Environment	3	→ Geology or Geography elective 300 level and above	3
	→ Geology or Geography elective 300 level and above	3	→ Geology or Geography elective 300 level and above	3
	→ Geology or Geography elective 300 level and above	4	→ Geology or other topics 100-400 level	3
	→ Geology or other topics 300 level and above	2	→ Geology or other topics 100-400 level	3
	→ Writing course***	3	Choose Social Science Field 3**	3
Total Fifth Semester:		15	Total Sixth Semester:	
	Seventh Semester		Eighth Semester	
	Course	Credits	Course	Credits
4th Year	→ Geology or Geography elective 300 level and above	3	→ Geology or Geography elective 300 level and above	2
	→ Geology or Geography elective 300 level and above	3	→ Geology or other topics 300 level and above	2
	→ Geology or other topics 100-400 level	3	→ Geology or other topics 300 level and above	3
	→ Geology or other topics 100-400 level	3	→ Geology or other topics 300 level and above	3
	→ Geology or other topics 100-400 level	3	→ Geology or other topics 300 level and above	3
Total Seventh Semester:		15	Total Eighth Semester:	
Notes	Notes			
	→ course has a prerequisite--see reverse side for course sequences or go to the UNLV online catalog at http://catalog.unlv.edu/			
	ΔA minimum of six (6) credits are required, to be composed of a three-credit multicultural course and a three-credit international course that may simultaneously fulfill other general education requirements. A single course may not simultaneously meet both the multicultural and international requirements. Discuss with your Academic Advisor!			
	The minimum number of semester credits required for a bachelor's degree for a student graduating under the regulations of the 2016 - 2017 Undergraduate Catalog is 120. At least half of the credits required for a baccalaureate degree at the institution must be earned at a four-year institution.			
	A candidate for the baccalaureate degree must complete the last 30 UNLV semester credits in uninterrupted resident credit as a declared major in the degree-granting college. A student must declare a major prior to enrolling in their last 30 UNLV resident credits.			
In order to graduate, an undergraduate student must have a minimum cumulative grade point average of 2.00 for the total of all college-level credit attempted at the University of Nevada, Las Vegas (UNLV GPA). College and department GPA requirements must also be met.				

LOWER DIVISION PREREQUISITE COURSE SEQUENCES FOR EARTH & ENVIRONMENTAL SCIENCE MAJORS

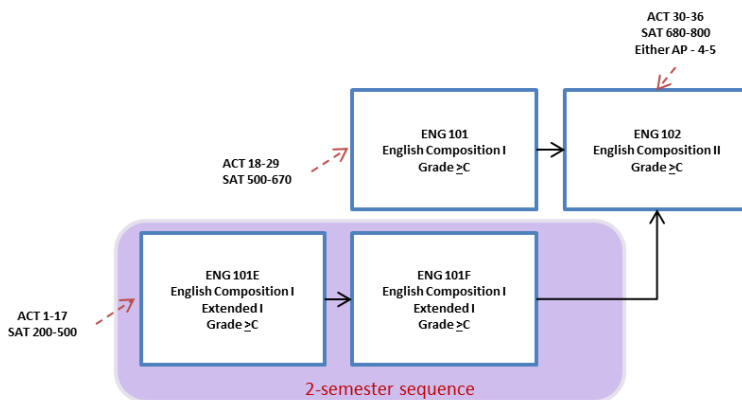
Lower Division Math Sequence



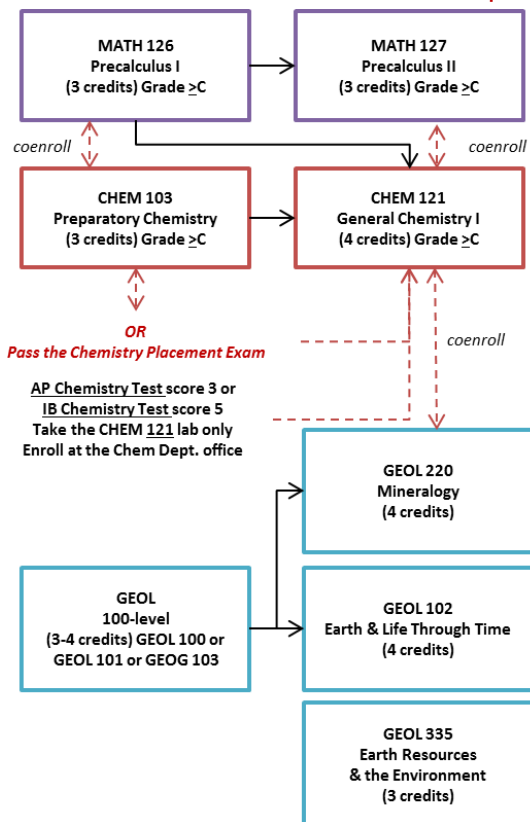
Lower Division Physics Sequence



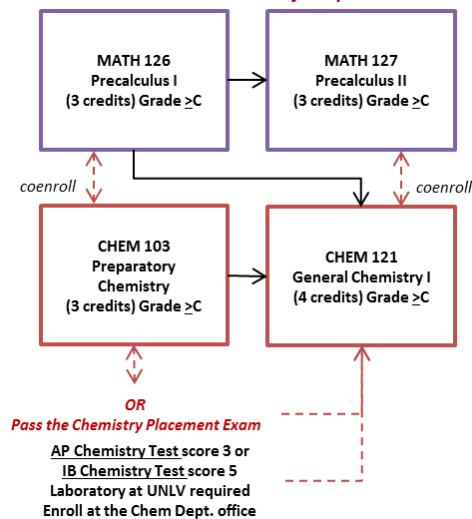
Lower Division English Sequence



Lower Division EAES Sequence



Lower Division Chemistry Sequence



Read the UNLV Catalog for Upper Division Course Prerequisites <http://catalog.unlv.edu/>