



BS Biology Degree in 4 Years w/Cell and Molecular Concentration 2017-2018

School of Life Sciences

Catalog Year: Fall 2017 - 2018 ♦ Catalog Expires: Summer 2028 ♦ Graduation: Spring 2021

Biological Sciences majors must complete BIOL 196, BIOL 197, CHEM 121A, 121L, CHEM 122A, 122L, MATH 181 or MATH 127 or MATH 128, ENG 102 or ENG 114 or HON 100 with a C or better (C- is not sufficient) as prerequisites for enrollment in any upper division biology course.

	First Semester		Second Semester	
	Course	Credits	Course	Credits
1st Year	→ ENG 101 English Composition I	3	→ ENG 102 Composition II	3
	→ MATH181 Calculus I	4	→ CHEM122A & 122L General Chemistry II	4
	Choose First Year Seminar (SCI-101 recom.)	2	BIOL 196 Modern Biology I OR BIOL 197 Modern	4
	→ CHEM121A & 121L General Chemistry I	4	HIST 100 or PSC 101 US NV Consitution	4
	BIOL 196 Modern Biology I OR BIOL 197	4		
	Total First Semester:	17	Total Second Semester:	15
2nd Year	Third Semester		Fourth Semester	
	Course	Credits	Course	Credits
	→ CHEM 241 Organic Chemistry I lecture	3	→ CHEM 242 Organic Chemistry II lecture	3
	→ CHEM 241L Organic Chemistry I lab	1	→ CHEM 242L Organic Chemistry II lab	1
	→ PHYS 151 General Physics I	4	→ PHYS 152 General Physics II	4
Choose Social Science Field 1	3	General Electives 100-400 level	3	
Choose Second Year Seminar	3	Choose Humanities Field 1	3	
	Total Third Semester:	14	Total Third Semester:	14
3rd Year	Fifth Semester		Sixth Semester	
	Course	Credits	Course	Credits
	→ CHEM 474 Biochemistry I	3	→ CHEM 475 Biochemistry II	3
	→ BIOL 300 Genetics or BIOL 304 Molec. Genet.	4	→ BIOL 415 Evolution	3
	→ BIOL 351 Microbiology	4	→ Biology Upper Division Course from list*	3
General Electives 100-400 level	3	General Electives 100-400 level	3	
		→ STAT391 App. Stats Bio Sci or STAT491 Stats for Sci I	3	
	Total Fifth Semester:	14	Total Sixth Semester:	15
4th Year	Seventh Semester		Eighth Semester	
	Course	Credits	Course	Credits
	→ Biology Upper Division Course List A	3	→ Biology Upper Division Course from list*	3
	→ Biology Upper Division Course from list*	3	→ Biology Upper Division Course List B	3
	→ Biology Upper Division Course from list*	3	→ Biology Upper Division Course List C	3
Choose Humanities Field 2	3	Choose Fine Arts	3	
Choose Social Science Field 2	3	General Electives 100-400 level	1	
		Choose Social Science Field 3	3	
	Total Seventh Semester:	15	Total Eighth Semester:	16

Notes

→ course has a prerequisite--see reverse side for course sequences or go to the UNLV online catalog at <http://catalog.unlv.edu>

*A minimum of four (4) courses from BIOL 405, 409, 425, 445, 453, 460, 464, 466, 470, 478

ΔA minimum of six (6) credits are required, to be composed of a three-credit multicultural course and a three-credit international course that may simultaneously fulfill other general education requirements. A single course may not simultaneously meet both the multicultural and international requirements. Discuss with your Academic Advisor!

It is strongly recommended that students interested in biomedicine or attending graduate school take additional appropriate upper-division biology courses and research units to meet their elective credit requirements.

The minimum number of semester credits required for a bachelor's degree for a student graduating under the regulations of the 2016 - 2017 Undergraduate Catalog is 120. At least half of the credits required for a baccalaureate degree at the institution must be earned at a four-year institution.

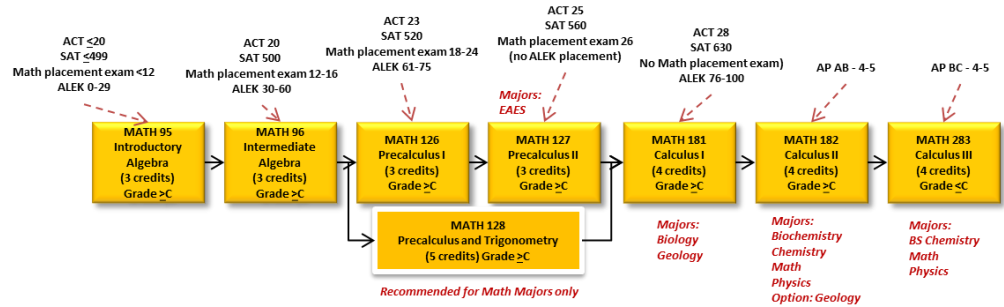
A candidate for the baccalaureate degree must complete the last 30 UNLV semester credits in uninterrupted resident credit as a declared major in the degree-granting college. A student must declare a major prior to enrolling in their last 30 UNLV resident credits.

In order to graduate, an undergraduate student must have a minimum cumulative grade point average of 2.00 for the total of all college-level credit attempted at the University of Nevada, Las Vegas (UNLV GPA). College and department GPA requirements must also be met.

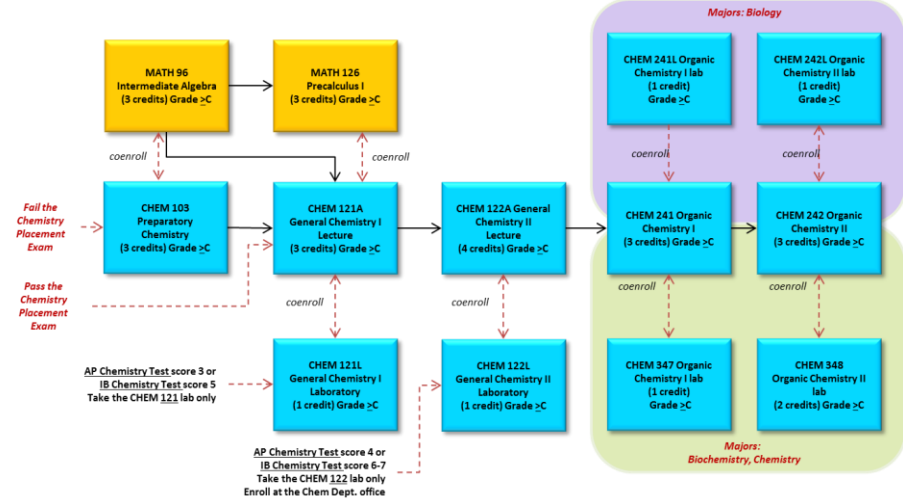


LOWER DIVISION PREREQUISITE COURSE SEQUENCES FOR BIOLOGY MAJORS

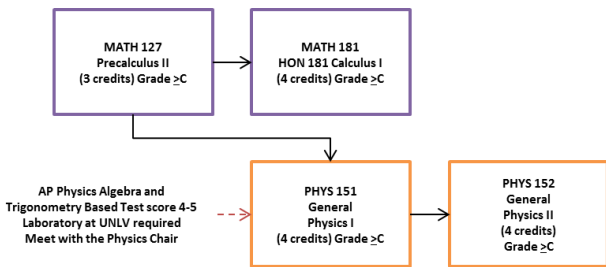
Lower Division Math Sequence



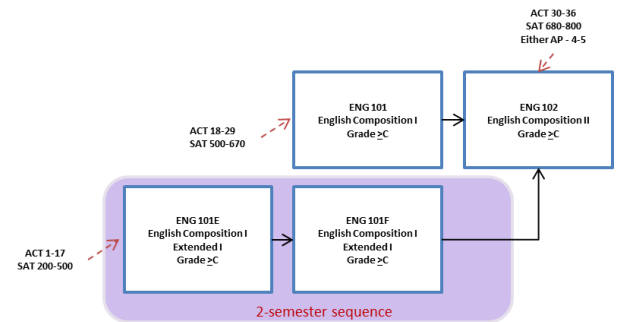
Lower Division Chemistry Sequence



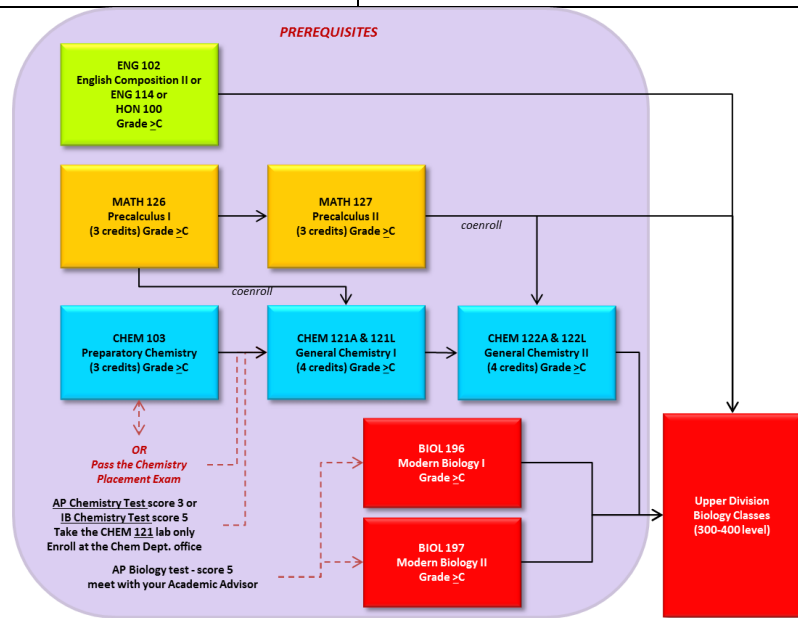
Lower Division Physics Sequence



Lower Division English Sequence



Lower Division Biology Sequence



Read the UNLV Catalog for Upper Division Course Prerequisites <http://catalog.unlv.edu/>