

College: **College of Sciences**  
 Department: **Physics Department**

Requirements for entering terms: **Fall 2015 - Spring 2016**  
 Catalog Expires (10 yrs): **August 2026**  
 Graduation: **Spring 2018 - Fall 2019**



Take 15 credits per semester to graduate in 4 years

	Credits
1st Year:	31
2nd Year:	28
3rd Year:	30
4th Year:	31
<b>Total:</b>	<b>120</b>



University of Nevada, Las Vegas (UNLV)  
**Physics Department**  
 Bigelow Physics Building (BPB-209)  
 702-895-3563  
[www.physics.unlv.edu/](http://www.physics.unlv.edu/)

	First Semester	Second Semester																														
1st Year	<table border="1"> <thead> <tr> <th>Course</th> <th>Credits</th> </tr> </thead> <tbody> <tr> <td>→ ENG 101 English Composition I</td> <td>3</td> </tr> <tr> <td>→ MATH181 Calculus I*</td> <td>4</td> </tr> <tr> <td>Choose First Year Seminar (SCI-101 recommended)</td> <td>2</td> </tr> <tr> <td>→ CHEM121/121L General Chemistry</td> <td>4</td> </tr> <tr> <td>Choose Social Science Field 1**</td> <td>3</td> </tr> <tr> <td><b>Total First Semester:</b></td> <td><b>16</b></td> </tr> </tbody> </table>	Course	Credits	→ ENG 101 English Composition I	3	→ MATH181 Calculus I*	4	Choose First Year Seminar (SCI-101 recommended)	2	→ CHEM121/121L General Chemistry	4	Choose Social Science Field 1**	3	<b>Total First Semester:</b>	<b>16</b>	<table border="1"> <thead> <tr> <th>Course</th> <th>Credits</th> </tr> </thead> <tbody> <tr> <td>→ ENG 102 Composition II</td> <td>3</td> </tr> <tr> <td>→ MATH 182 Calculus II</td> <td>4</td> </tr> <tr> <td>→ CHEM122/122L General Chemistry II</td> <td>4</td> </tr> <tr> <td>HIST 100 or PSC 101 US NV Constitution</td> <td>4</td> </tr> <tr> <td><b>Total Second Semester:</b></td> <td><b>15</b></td> </tr> </tbody> </table>	Course	Credits	→ ENG 102 Composition II	3	→ MATH 182 Calculus II	4	→ CHEM122/122L General Chemistry II	4	HIST 100 or PSC 101 US NV Constitution	4	<b>Total Second Semester:</b>	<b>15</b>				
	Course	Credits																														
→ ENG 101 English Composition I	3																															
→ MATH181 Calculus I*	4																															
Choose First Year Seminar (SCI-101 recommended)	2																															
→ CHEM121/121L General Chemistry	4																															
Choose Social Science Field 1**	3																															
<b>Total First Semester:</b>	<b>16</b>																															
Course	Credits																															
→ ENG 102 Composition II	3																															
→ MATH 182 Calculus II	4																															
→ CHEM122/122L General Chemistry II	4																															
HIST 100 or PSC 101 US NV Constitution	4																															
<b>Total Second Semester:</b>	<b>15</b>																															
2nd Year	<table border="1"> <thead> <tr> <th>Course</th> <th>Credits</th> </tr> </thead> <tbody> <tr> <td>→ PHYS 180 Engineering Physics I</td> <td>3</td> </tr> <tr> <td>→ PHYS 180L Engineering Physics I lab</td> <td>1</td> </tr> <tr> <td>→ MATH 283 Calculus III</td> <td>4</td> </tr> <tr> <td>Choose Second Year Seminar</td> <td>3</td> </tr> <tr> <td>→ CS 135 Computer Science I</td> <td>3</td> </tr> <tr> <td><b>Total Third Semester:</b></td> <td><b>14</b></td> </tr> </tbody> </table>	Course	Credits	→ PHYS 180 Engineering Physics I	3	→ PHYS 180L Engineering Physics I lab	1	→ MATH 283 Calculus III	4	Choose Second Year Seminar	3	→ CS 135 Computer Science I	3	<b>Total Third Semester:</b>	<b>14</b>	<table border="1"> <thead> <tr> <th>Course</th> <th>Credits</th> </tr> </thead> <tbody> <tr> <td>→ PHYS 181 Engineering Physics II</td> <td>3</td> </tr> <tr> <td>→ PHYS 181 Engineering Physics II lab</td> <td>1</td> </tr> <tr> <td>→ PHYS 182 Engineering Physics III</td> <td>3</td> </tr> <tr> <td>→ PHYS 182L Engineering Physics III lab</td> <td>1</td> </tr> <tr> <td>Choose Humanities Field 2**</td> <td>3</td> </tr> <tr> <td>→ CS 202 Computer Science II</td> <td>3</td> </tr> <tr> <td><b>Total Third Semester:</b></td> <td><b>14</b></td> </tr> </tbody> </table>	Course	Credits	→ PHYS 181 Engineering Physics II	3	→ PHYS 181 Engineering Physics II lab	1	→ PHYS 182 Engineering Physics III	3	→ PHYS 182L Engineering Physics III lab	1	Choose Humanities Field 2**	3	→ CS 202 Computer Science II	3	<b>Total Third Semester:</b>	<b>14</b>
	Course	Credits																														
→ PHYS 180 Engineering Physics I	3																															
→ PHYS 180L Engineering Physics I lab	1																															
→ MATH 283 Calculus III	4																															
Choose Second Year Seminar	3																															
→ CS 135 Computer Science I	3																															
<b>Total Third Semester:</b>	<b>14</b>																															
Course	Credits																															
→ PHYS 181 Engineering Physics II	3																															
→ PHYS 181 Engineering Physics II lab	1																															
→ PHYS 182 Engineering Physics III	3																															
→ PHYS 182L Engineering Physics III lab	1																															
Choose Humanities Field 2**	3																															
→ CS 202 Computer Science II	3																															
<b>Total Third Semester:</b>	<b>14</b>																															
3rd Year	<table border="1"> <thead> <tr> <th>Course</th> <th>Credits</th> </tr> </thead> <tbody> <tr> <td>→ PHYS 300 Introduction to Physics &amp; Scient Computing</td> <td>3</td> </tr> <tr> <td>→ PHYS 411 Modern Physics I</td> <td>3</td> </tr> <tr> <td>→ PHYS 413 Intermediate Laboratory I</td> <td>3</td> </tr> <tr> <td>Science, Computer Science or Engineering course</td> <td>3</td> </tr> <tr> <td>Choose Social Science Field 2**</td> <td>3</td> </tr> <tr> <td><b>Total Fifth Semester:</b></td> <td><b>15</b></td> </tr> </tbody> </table>	Course	Credits	→ PHYS 300 Introduction to Physics & Scient Computing	3	→ PHYS 411 Modern Physics I	3	→ PHYS 413 Intermediate Laboratory I	3	Science, Computer Science or Engineering course	3	Choose Social Science Field 2**	3	<b>Total Fifth Semester:</b>	<b>15</b>	<table border="1"> <thead> <tr> <th>Course</th> <th>Credits</th> </tr> </thead> <tbody> <tr> <td>→ PHYS 404 Computational Techniques in Physics</td> <td>3</td> </tr> <tr> <td>→ PHYS 421 Electricity &amp; Magnetism</td> <td>3</td> </tr> <tr> <td>→ PHYS 423 Mechanics I</td> <td>3</td> </tr> <tr> <td>Choose Social Science Field 3**</td> <td>3</td> </tr> <tr> <td>Choose Humanities Field 1**</td> <td>3</td> </tr> <tr> <td><b>Total Sixth Semester:</b></td> <td><b>15</b></td> </tr> </tbody> </table>	Course	Credits	→ PHYS 404 Computational Techniques in Physics	3	→ PHYS 421 Electricity & Magnetism	3	→ PHYS 423 Mechanics I	3	Choose Social Science Field 3**	3	Choose Humanities Field 1**	3	<b>Total Sixth Semester:</b>	<b>15</b>		
	Course	Credits																														
→ PHYS 300 Introduction to Physics & Scient Computing	3																															
→ PHYS 411 Modern Physics I	3																															
→ PHYS 413 Intermediate Laboratory I	3																															
Science, Computer Science or Engineering course	3																															
Choose Social Science Field 2**	3																															
<b>Total Fifth Semester:</b>	<b>15</b>																															
Course	Credits																															
→ PHYS 404 Computational Techniques in Physics	3																															
→ PHYS 421 Electricity & Magnetism	3																															
→ PHYS 423 Mechanics I	3																															
Choose Social Science Field 3**	3																															
Choose Humanities Field 1**	3																															
<b>Total Sixth Semester:</b>	<b>15</b>																															
4th Year	<table border="1"> <thead> <tr> <th>Course</th> <th>Credits</th> </tr> </thead> <tbody> <tr> <td>→ PHYS 467 Thermodynamics</td> <td>3</td> </tr> <tr> <td>→ PHYS 481 Quantum Mechanics I</td> <td>3</td> </tr> <tr> <td>Science, Computer Science or Engineering</td> <td>3</td> </tr> <tr> <td>Electives</td> <td>4</td> </tr> <tr> <td>Choose Fine Arts**</td> <td>3</td> </tr> <tr> <td><b>Total Seventh Semester:</b></td> <td><b>16</b></td> </tr> </tbody> </table>	Course	Credits	→ PHYS 467 Thermodynamics	3	→ PHYS 481 Quantum Mechanics I	3	Science, Computer Science or Engineering	3	Electives	4	Choose Fine Arts**	3	<b>Total Seventh Semester:</b>	<b>16</b>	<table border="1"> <thead> <tr> <th>Course</th> <th>Credits</th> </tr> </thead> <tbody> <tr> <td>→ MATH 365 Computational Linear Algebra</td> <td>3</td> </tr> <tr> <td>Science, Computer Science or Engineering</td> <td>11</td> </tr> <tr> <td>→ PHYS 493 Special Problems</td> <td>1</td> </tr> <tr> <td><b>Total Eighth Semester:</b></td> <td><b>15</b></td> </tr> </tbody> </table>	Course	Credits	→ MATH 365 Computational Linear Algebra	3	Science, Computer Science or Engineering	11	→ PHYS 493 Special Problems	1	<b>Total Eighth Semester:</b>	<b>15</b>						
	Course	Credits																														
→ PHYS 467 Thermodynamics	3																															
→ PHYS 481 Quantum Mechanics I	3																															
Science, Computer Science or Engineering	3																															
Electives	4																															
Choose Fine Arts**	3																															
<b>Total Seventh Semester:</b>	<b>16</b>																															
Course	Credits																															
→ MATH 365 Computational Linear Algebra	3																															
Science, Computer Science or Engineering	11																															
→ PHYS 493 Special Problems	1																															
<b>Total Eighth Semester:</b>	<b>15</b>																															

**Notes**

→ course has a prerequisite--see reverse side for course sequences or go to the UNLV online catalog at <http://catalog.unlv.edu/>

\*Student who place below MATH 181 should enroll in math during summer terms

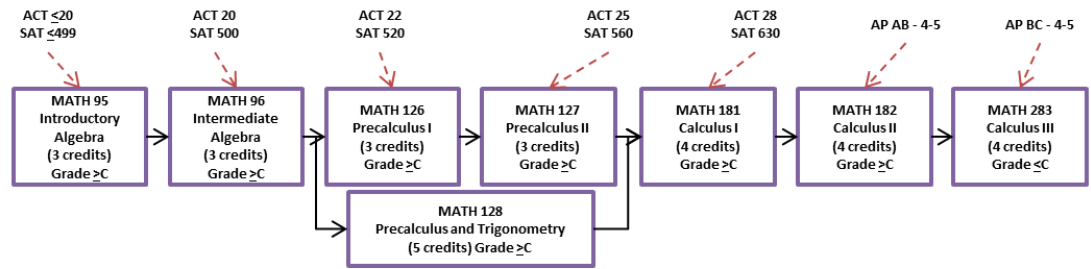
\*\*A minimum of six (6) credits are required, to be composed of a three-credit multicultural course and a three-credit international course that may simultaneously fulfill other general education requirements (General Education Requirements are Italized). A single course may not simultaneously meet both the multicultural and international requirements. Discuss with your Academic Advisor!

\*\*\*Choose: STAT 152 Introduction to Statistics, OR STAT 411 and STAT 412 Statistical Methods I and II, OR STAT 491 and STAT 492 Statistics for Scientists I and II

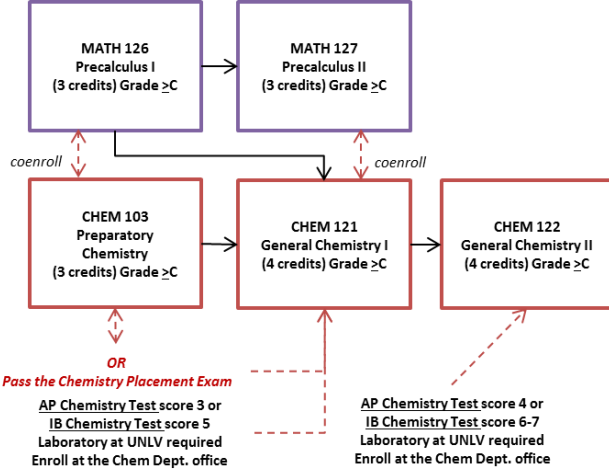
\*\*\*\*Choose 7 credits from: CHEM 312, Introduction to Radiochemistry, CHEM 442 Advanced Organic Chemistry, CHEM 472 Biochemistry Laboratory, CHEM 475 Biochemistry II, CHEM 476 Advanced Topics in Biochemistry or CHEM 492 Advanced Topics in Chemistry

## LOWER DIVISION PREREQUISITE COURSE SEQUENCES FOR BS PHYSICS/COMPUTATIONAL MAJORS

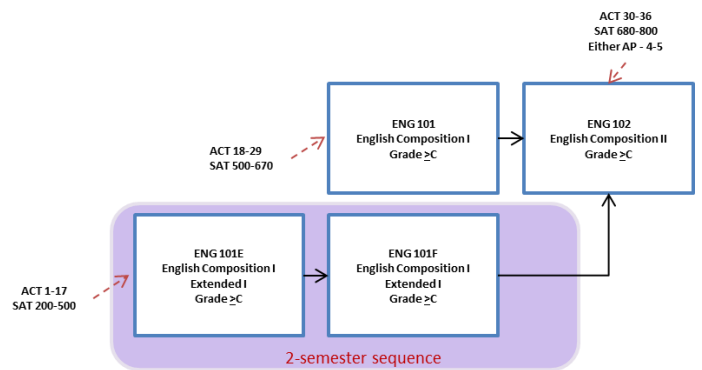
### Lower Division Math Sequence



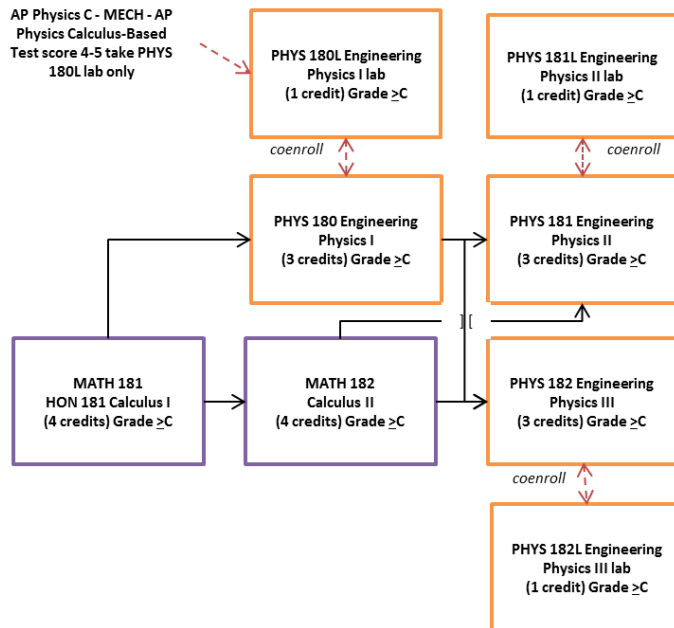
### Lower Division Chemistry Sequence



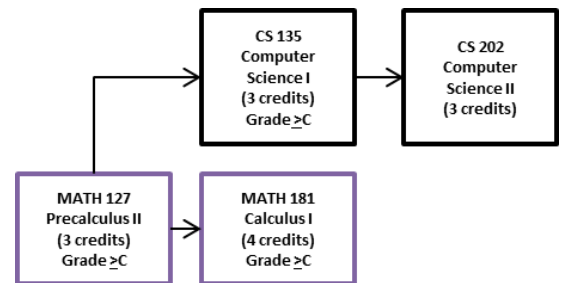
### Lower Division English Sequence



### Lower Division Engineering Physics Sequence



### Lower Division Computer Science Sequence



Read the UNLV Catalog for Upper Division Course Prerequisites <http://catalog.unlv.edu/>