

College: **College of Sciences**  
 Department: **Physics Department**

Requirements for entering terms: **Fall 2015 - Spring 2016**  
 Catalog Expires (10 yrs): **August 2026**  
 Graduation: **Spring 2019 - Fall 2019**



Take 15 credits per semester to graduate in 4 years

	Credits
1st Year:	31
2nd Year:	29
3rd Year:	30
4th Year:	30
<b>Total:</b>	<b>120</b>



University of Nevada, Las Vegas (UNLV)  
**Physics Department**  
 Bigelow Physics Building (BPB-209)  
 702-895-3563  
[www.physics.unlv.edu/](http://www.physics.unlv.edu/)

1st Year	First Semester		Second Semester	
	Course	Credits	Course	Credits
	→ ENG 101 English Composition I	3	→ ENG 102 Composition II	3
	→ MATH181 Calculus I*	4	→ MATH 182 Calculus II	4
	Choose First Year Seminar (SCI-101 recommended)	2	→ CHEM122/122L General Chemistry II	4
	→ CHEM121/121L General Chemistry	4	HIST 100 or PSC 101 US NV Constitution	4
	Choose Social Science Field 1**	3		
	<b>Total First Semester:</b>	<b>16</b>	<b>Total Second Semester:</b>	<b>15</b>

2nd Year	Third Semester		Fourth Semester	
	Course	Credits	Course	Credits
	→ PHYS 180 Engineering Physics I	3	→ PHYS 181 Engineering Physics II	3
	→ PHYS 180L Engineering Physics I lab	1	→ PHYS 181 Engineering Physics II lab	1
	→ MATH 283 Calculus III	4	→ PHYS 182 Engineering Physics III	3
	Choose Second Year Seminar	3	→ PHYS 182L Engineering Physics III lab	1
	Science, Mathematics, Computer Science or Engineering	4	Choose Humanities Field 1**	3
			Science, Mathematics, Computer Science or Engineering	3
	<b>Total Third Semester:</b>	<b>15</b>	<b>Total Fourth Semester:</b>	<b>14</b>

3rd Year	Fifth Semester		Sixth Semester	
	Course	Credits	Course	Credits
	→ PHYS 411 Modern Physics I	3	→ PHYS 413 Intermediate Lab I	3
	→ PHYS 421 Electricity & Magnetism I	3	Science, Computer Science or Engineering course	3
	→ PHYS 423 Mechanics I	3	Upper Division Electives	3
	Science, Mathematics, Computer Science or Engineering	3	Choose Social Science Field 3**	3
	Choose Social Science Field 2**	3	Choose Humanities Field 2**	3
	<b>Total Fifth Semester:</b>	<b>15</b>	<b>Total Sixth Semester:</b>	<b>15</b>

4th Year	Seventh Semester		Eighth Semester	
	Course	Credits	Course	Credits
	→ Upper Division Electives	4	→ PHYS 493 Special Problems (1-3 credits)	3
	→ Upper Division Electives	3	→ Science, Computer Science or Engineering upper division course	3
	→ Science, Computer Science or Engineering upper division course	3	→ Choose Upper Division Physics course	3
	→ Choose Upper Division Physics course	3	Choose Fine Arts**	3
			General Elective	2
			→ Upper Division Electives	3
	<b>Total Seventh Semester:</b>	<b>13</b>	<b>Total Eighth Semester:</b>	<b>17</b>

**Notes**

→ course has a prerequisite--see reverse side for course sequences or go to the UNLV online catalog at <http://catalog.unlv.edu/>

\*Student who place below MATH 181 should enroll in math during summer terms

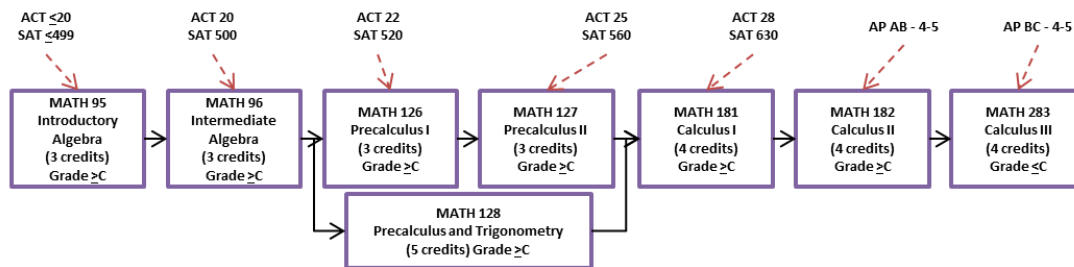
\*\*A minimum of six (6) credits are required, to be composed of a three-credit multicultural course and a three-credit international course that may simultaneously fulfill other general education requirements (General Education Requirements are Italized). A single course may not simultaneously meet both the multicultural and international requirements. Discuss with your Academic Advisor!

\*\*\*Choose: STAT 152 Introduction to Statistics, OR STAT 411 and STAT 412 Statistical Methods I and II, OR STAT 491 and STAT 492 Statistics for Scientists I and II

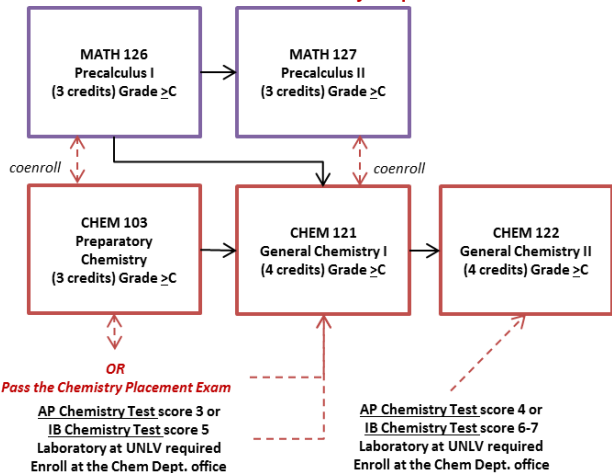
\*\*\*\*Choose 7 credits from: CHEM 312, Introduction to Radiochemistry, CHEM 442 Advanced Organic Chemistry, CHEM 472 Biochemistry Laboratory, CHEM 475 Biochemistry II, CHEM 476 Advanced Topics in Biochemistry or CHEM 492 Advanced Topics in Chemistry

**LOWER DIVISION PREREQUISITE COURSE SEQUENCES FOR BS PHYSICS & BS PHYSICS/APPLIED MAJORS**

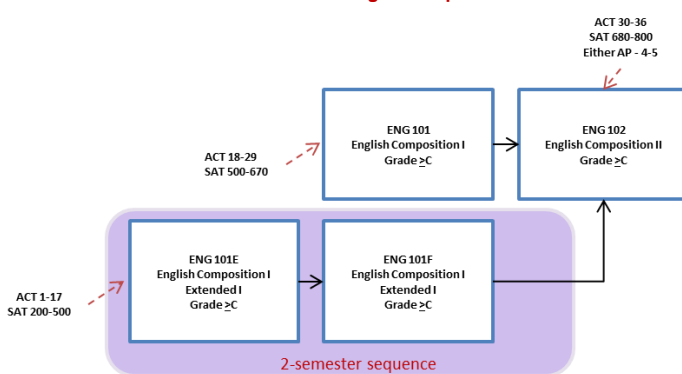
**Lower Division Math Sequence**



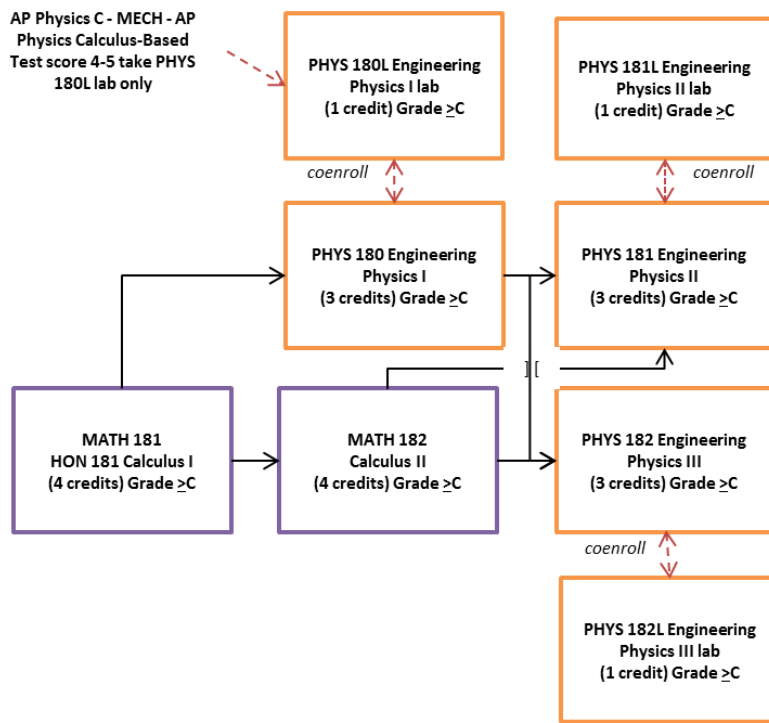
**Lower Division Chemistry Sequence**



**Lower Division English Sequence**



**Lower Division Engineering Physics Sequence**



Read the UNLV Catalog for Upper Division Course Prerequisites <http://catalog.unlv.edu/>