

College: **College of Sciences**  
 Department: **Chemistry Department**

Requirements for entering terms: **Fall 2015 - Spring 2016**  
 Catalog Expires (10 yrs): **August 2026**  
 Graduation: **Spring 2019 - Fall 2019**



Take 15 credits per semester to graduate in 4 years

	Credits
1st Year:	30
2nd Year:	31
3rd Year:	30
4th Year:	29
<b>Total:</b>	<b>120</b>



University of Nevada, Las Vegas (UNLV)  
**Chemistry Department**  
 Chemistry Building (CHE-106)  
 702-895-3510  
[www.unlv.edu/chemistry](http://www.unlv.edu/chemistry)

1st Year	First Semester		Second Semester	
	Course	Credits	Course	Credits
	→ ENG 101 English Composition I	3	→ ENG 102 Composition II	3
	→ MATH 181 Calculus I	4	→ CS 117 Programming for Scientists and Engineers OR CS 135	4
	Choose First Year Seminar (SCI-101 recommended)	2	Computer Science i	
	HIST 100 or PSC 101 US NV Consitution	4	→ MATH 182 Calculus II	4
	Choose Social Science Field 1**	3	→ ECON 102 Principles of Microeconomics	3
	<b>Total First Semester:</b>	<b>16</b>	<b>Total Second Semester:</b>	<b>14</b>

2nd Year	Third Semester		Fourth Semester	
	Course	Credits	Course	Credits
	→ MATH 283 Calculus III	4	→ MATH 320 Mathematics of Interest	3
	→ MATH 330 Linear Algebra OR MATH 365 Computational Linear Algebra	3	→ MATH 427 Differential Equations I	3
	Elective (any level)	3	Related science courseΔ	3
	Choose Second Year Seminar	3	Related science courseΔ	3
	→ ECON 103 Principles of Macroeconomics	3	Choose Humanities Field 1**	3
	<b>Total Third Semester:</b>	<b>16</b>	<b>Total Third Semester:</b>	<b>15</b>

3rd Year	Fifth Semester		Sixth Semester	
	Course	Credits	Course	Credits
	→ MATH 463 Advanced Matrix Theory or MATH 466 Numerical methods I	3	→ MATH 472 Actuarial Mathematics II	3
	→ MATH 471 Actuarial Mathematics I	3	Elective (any level)	3
	Elective (any level)	3	Elective (any level)	3
	→ FIN 321 Corporate Risk Managaement	3	Choose Social Science Field 2**	3
	Choose Fine Arts**	3	Choose Humanities Field 2**	3
	<b>Total Fifth Semester:</b>	<b>15</b>	<b>Total Sixth Semester:</b>	<b>15</b>

4th Year	Seventh Semester		Eighth Semester	
	Course	Credits	Course	Credits
	→ STAT 411 Statistical Methods I	3	→ STAT 412 Statistical Methods II	3
	→ STAT 467 Introduction to Mathematical Statistics	3	Elective (any level)	2
	→ STAT 488 Senior Research Project in Statistics	3	Related science courseΔ	3
	Elective (any level)	3	Elective (any level)	3
	Elective (any level)	3	Choose Social Science Field 3**	3
	<b>Total Seventh Semester:</b>	<b>15</b>	<b>Total Eighth Semester:</b>	<b>14</b>

**Notes**

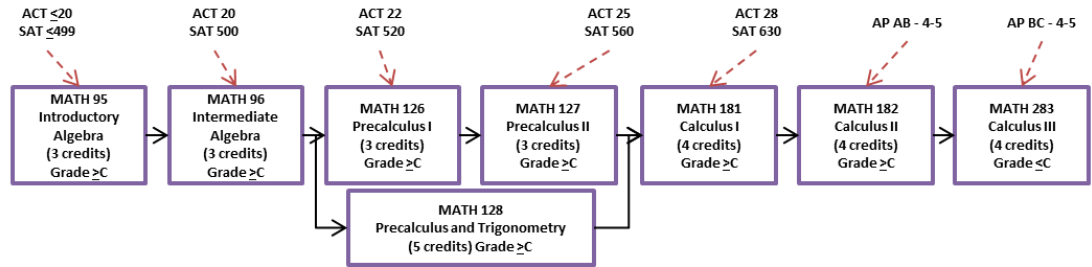
→ course has a prerequisite--see reverse side for course sequences or go to the UNLV online catalog at <http://catalog.unlv.edu/>

\*\*A minimum of six (6) credits are required, to be composed of a three-credit multicultural course and a three-credit international course that may simultaneously fulfill other general education requirements (General Educaton Requirements are Italized). A single course may not simultaneously meet both the multicultural and international requirements. Discuss with your Academic Advisor!

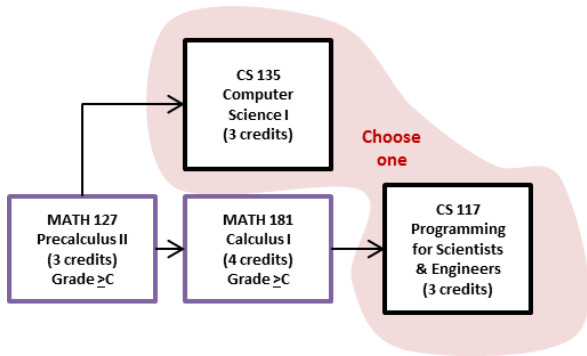
ΔSelect nine (9) credits, including a LAB course, from BIOL courses numbered 189 and above; CHEM courses numbered 121 and above except CHEM 201, 203; GEOL courses numbered 220 and above; GEOG courses numbered 300 and above; PHYS courses numbered 180 and above; CEE courses numbered 300 and above; CS courses numbered 218 and above; all CpE courses; EE courses numbered 220 and above; all ME courses.

**LOWER DIVISION PREREQUISITE COURSE SEQUENCES FOR BS MATHEMATICS/ACTUARIAL SCIENCE MAJORS**

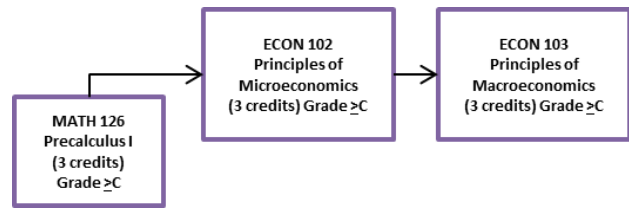
**Lower Division Math Sequence**



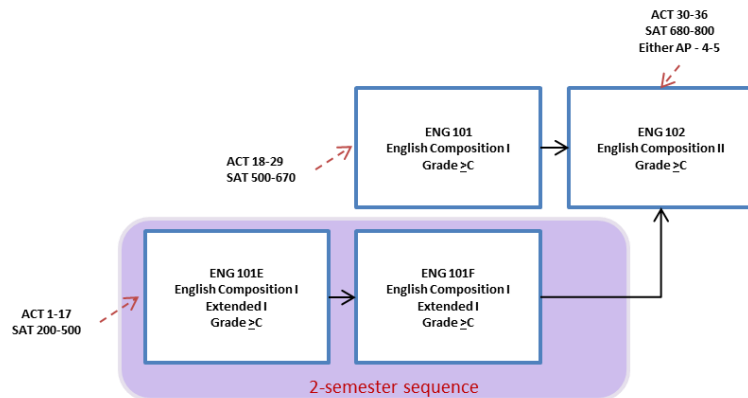
**Lower Division Computer Science Sequence**



**Lower Division Economics Sequence**



**Lower Division English Sequence**



Read the UNLV Catalog for Upper Division Course Prerequisites <http://catalog.unlv.edu/>