

College: **College of Sciences**  
 Department: **School of Life Sciences**

Requirements for entering terms: **Fall 2015 - Spring 2016**  
 Catalog Expires (10 yrs): **August 2026**  
 Graduation: **Spring 2019 - Fall 2019**



Take 15 credits per semester to graduate in 4 years

	Credits
1st Year:	32
2nd Year:	28
3rd Year:	30
4th Year:	30
<b>Total:</b>	<b>120</b>



University of Nevada, Las Vegas (UNLV)  
**School of Life Sciences**  
 Juanita Greer White Hall (WHI-101)  
 702-895-3390  
 www.unlv.edu/lifesciences

1st Year	First Semester		Second Semester	
	Course	Credits	Course	Credits
	→ ENG 101 English Composition I [placement required]	3	→ ENG 102 Composition II	3
	→ MATH181 Calculus I* [placement required]	4	→ CHEM122/122L General Chemistry II	4
	Choose First Year Seminar (SCI-101 recommended)	2	BIOL 196 Modern Biology I OR BIOL 197 Modern Biology II	4
	→ CHEM121/121L General Chemistry	4	HIST 100 or PSC 101 US NV Constitution	4
	BIOL 196 Modern Biology I OR BIOL 197 Modern Biology II	4		
	<b>Total First Semester:</b>	<b>17</b>	<b>Total Second Semester:</b>	<b>15</b>

2nd Year	Third Semester		Fourth Semester	
	Course	Credits	Course	Credits
	→ CHEM 241 Organic Chemistry I lecture	3	→ CHEM 242 Organic Chemistry II lecture	3
	→ CHEM 241L Organic Chemistry I lab	1	→ CHEM 242L Organic Chemistry II lab	1
	→ PHYS 151 General Physics I	4	→ PHYS 152 General Physics II	4
	Choose Social Science Field 1**	3	General Elective	3
	Choose Second Year Seminar	3	Choose Humanities Field 1**	3
	<b>Total Third Semester:</b>	<b>14</b>	<b>Total Third Semester:</b>	<b>14</b>

3rd Year	Fifth Semester		Sixth Semester	
	Course	Credits	Course	Credits
	→ CHEM 474 Biochemistry I	3	→ Biology Upper Division Course***	4
	→ BIOL 300 Genetics or BIOL 304 Molecular Genetics	4	→ BIOL 415 Evolution	3
	→ BIOL 351 Microbiology	4	→ Biology Upper Division Course***	3
	General Elective	3	General Elective	3
			→ STAT 391 App. Stats for Bio Sci or STAT 491 Stats for Sci I	3
	<b>Total Fifth Semester:</b>	<b>14</b>	<b>Total Sixth Semester:</b>	<b>16</b>

4th Year	Seventh Semester		Eighth Semester	
	Course	Credits	Course	Credits
	→ Biology Upper Division Course***	4	→ Biology Upper Division Course***	3
	→ Biology Upper Division Course***	3	→ Biology Upper Division Course***	3
	→ Biology Upper Division Course***	3	→ Biology Upper Division Course***	1
	Choose Humanities Field 2**	3	Choose Fine Arts**	3
	Choose Social Science Field 2**	3	General Elective	1
			Choose Social Science Field 3**	3
	<b>Total Seventh Semester:</b>	<b>16</b>	<b>Total Eighth Semester:</b>	<b>14</b>

**Notes**

→ course has a prerequisite--see reverse side for course sequences or go to the UNLV online catalog at <http://catalog.unlv.edu/>

\*Student who place below MATH 181 should enroll in math during summer terms

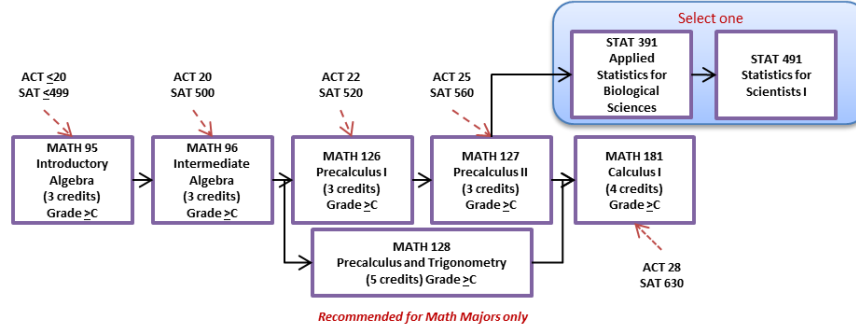
\*\*A minimum of six (6) credits are required, to be composed of a three-credit multicultural course and a three-credit international course that may simultaneously fulfill other general education requirements (General Education Requirements are Italized). A single course may not simultaneously meet both the multicultural and international requirements. Discuss with your Academic Advisor!

\*\*\*See List requirements; only one credit from BIOL 492, 493, 494 or 496 may be used toward the requirement for 20 upper division biology credits.

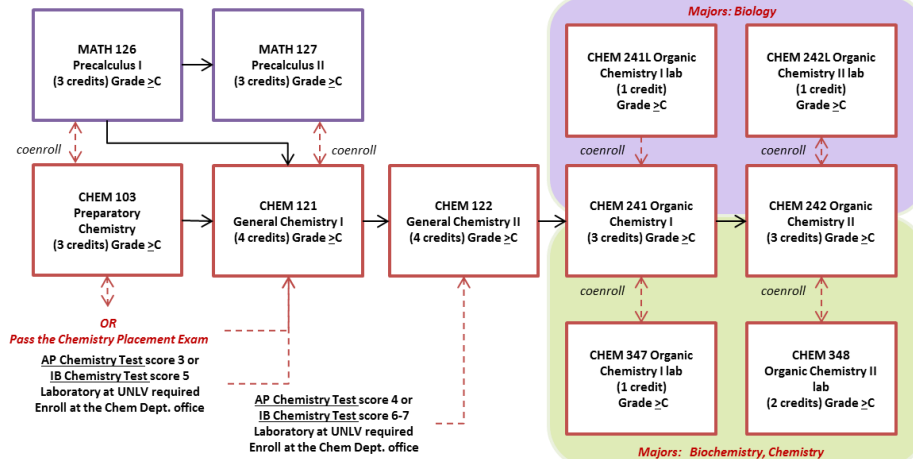
To enroll in upper division (300-400 level) biology classes, students must complete a set of introductory science, math, and composition classes with a satisfactory grade. These courses, which satisfy university and science major requirements (25 credits), are typically taken in the freshman year. Entry to the major requires a C or better (C- is not sufficient) in each of the following classes (or equivalent transferred from another institution): BIOL 196, BIOL 197, CHEM 121, CHEM 122, MATH 127 or 181, ENG 101, ENG 102. Students with Advanced Placement (AP) credit in chemistry and/or biology must complete the appropriate lab at UNLV and earn a grade C or higher.

# LOWER DIVISION PREREQUISITE COURSE SEQUENCES FOR BIOLOGY MAJORS

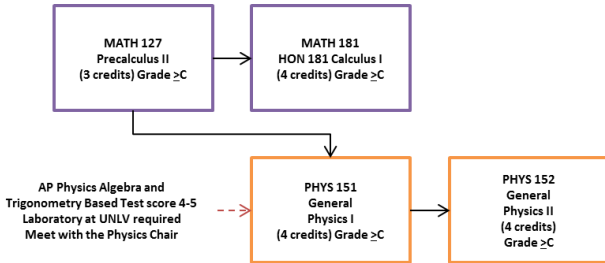
## Lower Division Math Sequence



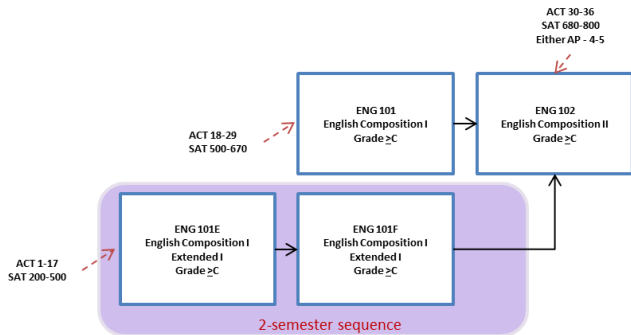
## Lower Division Chemistry Sequence



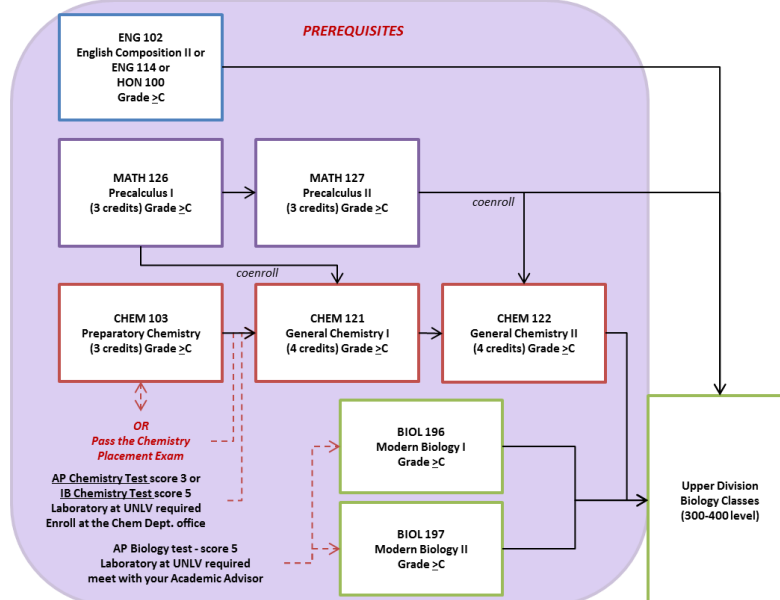
## Lower Division Physics Sequence



## Lower Division English Sequence



## Lower Division Biology Sequence



Read the UNLV Catalog for Upper Division Course Prerequisites <http://catalog.unlv.edu/>