

College: **College of Sciences**
 Department: **School of Life Sciences**

Requirements for entering terms: **Fall 2015 - Spring 2016**
 Catalog Expires (10 yrs): **August 2026**
 Graduation: **Spring 2019 - Fall 2019**



Take 15 credits per semester to graduate in 4 years

	Credits
1st Year :	32
2nd Year :	28
3rd Year :	30
4th Year :	30
Total :	120



University of Nevada, Las Vegas (UNLV)
School of Life Sciences
 Juanita Greer White Hall (WHI-101)
 702-895-3390
www.unlv.edu/lifesciences

1st Year	First Semester		Second Semester	
	Course	Credits	Course	Credits
	→ ENG 101 English Composition I [placement required]	3	→ ENG 102 Composition II	3
	→ MATH181 Calculus I* [placement required]	4	→ CHEM122/122L General Chemistry II	4
	Choose First Year Seminar (SCI-101 recommended)	2	BIOL 196 Modern Biology I OR BIOL 197 Modern Biology II	4
	→ CHEM121/121L General Chemistry	4	HIST 100 or PSC 101 US NV Constitution	4
	BIOL 196 Modern Biology I OR BIOL 197 Modern Biology II	4		
	Total First Semester:	17	Total Second Semester:	15

2nd Year	Third Semester		Fourth Semester	
	Course	Credits	Course	Credits
	→ CHEM 241 Organic Chemistry I lecture	3	→ CHEM 242 Organic Chemistry II lecture	3
	→ CHEM 241L Organic Chemistry I lab	1	→ CHEM 242L Organic Chemistry II lab	1
	→ PHYS 151 General Physics I	4	→ PHYS 152 General Physics II	4
	Choose Social Science Field 1**	3	General Elective	3
	Choose Second Year Seminar	3	Choose Humanities Field 1**	3
	Total Third Semester:	14	Total Fourth Semester:	14

3rd Year	Fifth Semester		Sixth Semester	
	Course	Credits	Course	Credits
	→ CHEM 474 Biochemistry I	3	→ Biology Upper Division Course***	4
	→ BIOL 300 Genetics or BIOL 304 Molecular Genetics	4	→ BIOL 415 Evolution	3
	→ BIOL 351 Microbiology	4	→ Biology Upper Division Course***	3
	General Elective	3	General Elective	3
			→ STAT 391 App. Stats for Bio Sci or STAT 491 Stats for Sci I	3
	Total Fifth Semester:	14	Total Sixth Semester:	16

4th Year	Seventh Semester		Eighth Semester	
	Course	Credits	Course	Credits
	→ Biology Upper Division Course***	4	→ Biology Upper Division Course***	3
	→ Biology Upper Division Course***	3	→ Biology Upper Division Course***	3
	→ Biology Upper Division Course***	3	→ Biology Upper Division Course***	1
	Choose Humanities Field 2**	3	Choose Fine Arts**	3
	Choose Social Science Field 2**	3	General Elective	1
			Choose Social Science Field 3**	3
	Total Seventh Semester:	16	Total Eighth Semester:	14

Notes

→ course has a prerequisite--see reverse side for course sequences or go to the UNLV online catalog at <http://catalog.unlv.edu/>

*Student who place below MATH 181 should enroll in math during summer terms

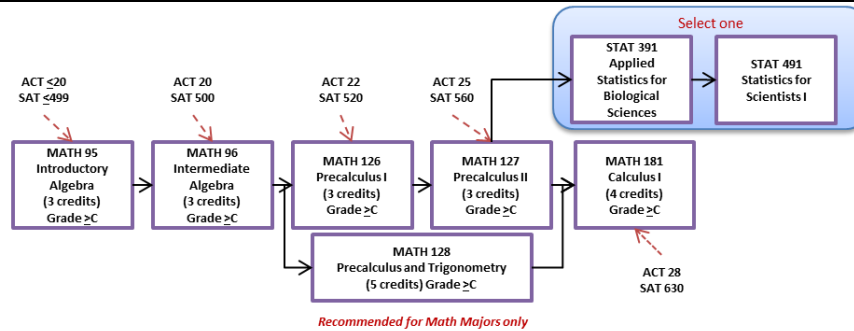
**A minimum of six (6) credits are required, to be composed of a three-credit multicultural course and a three-credit international course that may simultaneously fulfill other general education requirements (General Education Requirements are Italized). A single course may not simultaneously meet both the multicultural and international requirements. Discuss with your Academic Advisor!

***See List requirements; only one credit from BIOL 492, 493, 494 or 496 may be used toward the requirement for 20 upper division biology credits.

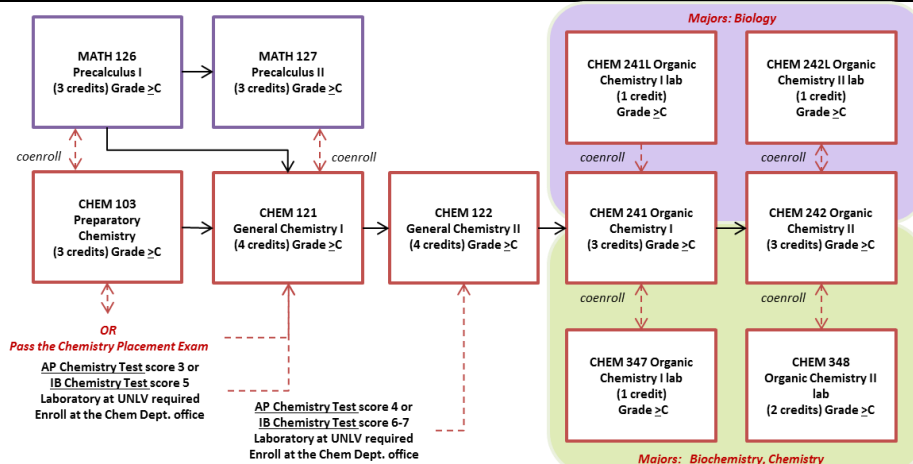
To enroll in upper division (300-400 level) biology classes, students must complete a set of introductory science, math, and composition classes with a satisfactory grade. These courses, which satisfy university and science major requirements (25 credits), are typically taken in the freshman year. Entry to the major requires a C or better (C- is not sufficient) in each of the following classes (or equivalent transferred from another institution): BIOL 196, BIOL 197, CHEM 121, CHEM 122, MATH 127 or 181, ENG 101, ENG 102. Students with Advanced Placement (AP) credit in chemistry and/or biology must complete the appropriate lab at UNLV and earn a grade C or higher.

LOWER DIVISION PREREQUISITE COURSE SEQUENCES FOR BIOLOGY MAJORS

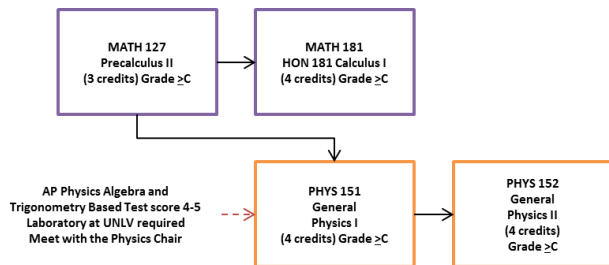
Lower Division Math Sequence



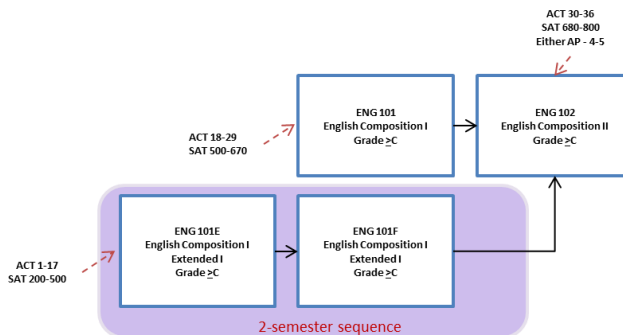
Lower Division Chemistry Sequence



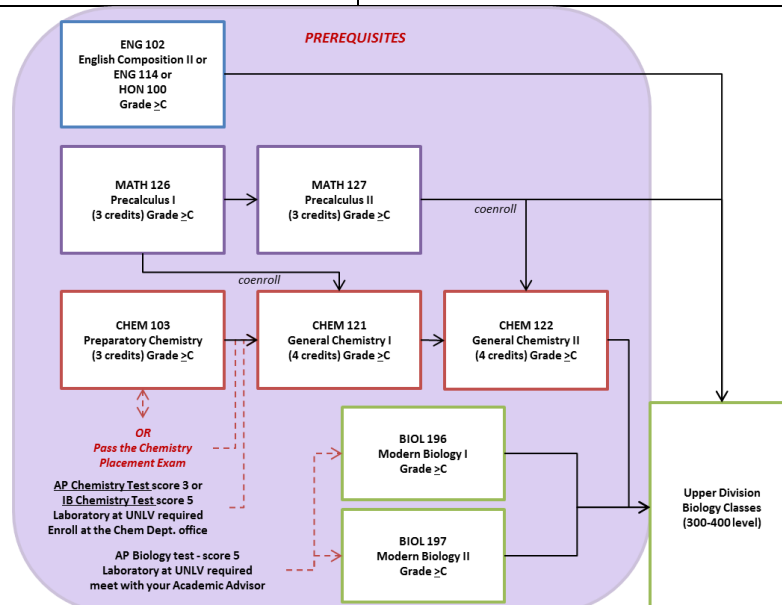
Lower Division Physics Sequence



Lower Division English Sequence



Lower Division Biology Sequence



Read the UNLV Catalog for Upper Division Course Prerequisites <http://catalog.unlv.edu/>