

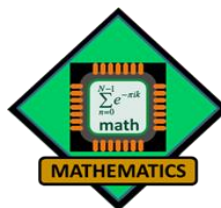
College: **College of Sciences**
 Department: **Mathematics Department**

Requirements for entering terms: **Fall 2015 - Spring 2016**
 Catalog Expires (10 yrs): **August 2026**
 Graduation: **Spring 2019 - Fall 2019**



Take 15 credits per semester to graduate in 4 years

	Credits
1st Year:	29
2nd Year:	31
3rd Year:	30
4th Year:	30
Total:	120



University of Nevada, Las Vegas (UNLV)
Mathematics Department
 Central Desert Complex Bldg #8
 702-895-3567
www.unlv.edu/math

1st Year	First Semester		Second Semester	
	Course	Credits	Course	Credits
	→ ENG 101 English Composition I	3	→ ENG 102 Composition II	3
	→ MATH181 Calculus I*	4	→ MATH 182 Calculus II	4
	Choose First Year Seminar (SCI-101 recommended)	2	General Elective	3
	Choose Fine Arts**	3	HIST 100 or PSC 101 US NV Constitution	4
	Choose Social Science Field 1**	3		
	Total First Semester:	15	Total Second Semester:	14

2nd Year	Third Semester		Fourth Semester	
	Course	Credits	Course	Credits
	→ MATH 251 Discrete Mathematics I	3	→ MATH 330 Linear Alg or MATH 365 Comp Linear Alg	3
	→ MATH 283 Calculus III	4	Choose Humanities Field 1**	3
	→ CS 117Prog for Sci & Eng or CS 135 Computer Sci I	3	Choose Social Science Field 2**	3
	General Elective	3	General Elective	3
	Choose Second Year Seminar	3	General elective	3
	Total Third Semester:	16	Total Third Semester:	15

3rd Year	Fifth Semester		Sixth Semester	
	Course	Credits	Course	Credits
	→ MATH 427 Differential Equations I	3	General Elective	3
	→ MATH 453 Abstract Algebra I	3	General Elective	3
	→ MATH 457 Introduction to Real Analysis I	3	→ Upper division elective	4
	Science elective	3	General Elective	2
	Choose Social Science Field 3**	3	Choose Humanities Field 2**	3
	Total Fifth Semester:	15	Total Sixth Semester:	15

4th Year	Seventh Semester		Eighth Semester	
	Course	Credits	Course	Credits
	→ 400 level Mathematics or Statistics	3	→ 400 level Mathematics or Statistics	3
	→ 400 level Mathematics or Statistics	3	→ 400 level Mathematics or Statistics	3
	→ Upper division Elective	3	Science elective	3
	→ Upper division Elective	3	→ Upper division Elective	3
	Science elective with lab	3	→ Upper division Elective	3
	Total Seventh Semester:	15	Total Eighth Semester:	15

Notes

→ course has a prerequisite--see reverse side for course sequences or go to the UNLV online catalog at <http://catalog.unlv.edu/>

*Student who place below MATH 181 should enroll in math during summer terms

**A minimum of six (6) credits are required, to be composed of a three-credit multicultural course and a three-credit international course that may simultaneously fulfill other general education requirements (General Educator Requirements are Italized). A single course may not simultaneously meet both the multicultural and international requirements. Discuss with your Academic Advisor!

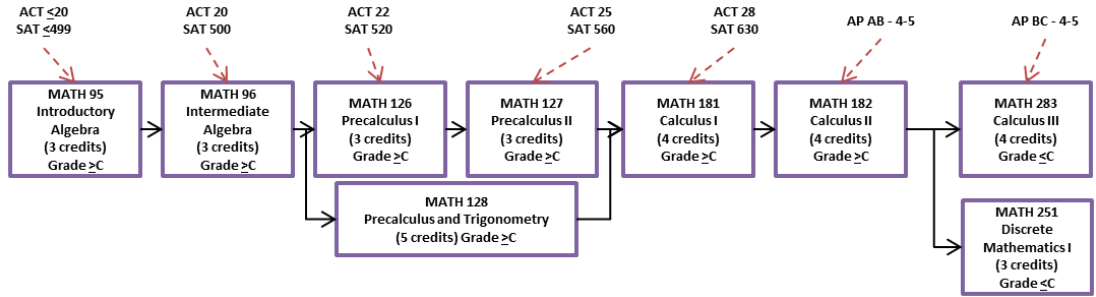
***Choose: STAT 152 Introduction to Statistics, OR STAT 411 and STAT 412 Statistical Methods I and II, OR STAT 491 and STAT 492 Statistics for Scientists I and II

****Choose 7 credits from: CHEM 312, Introduction to Radiochemistry, CHEM 442 Advanced Organic Chemistry, CHEM 472 Biochemistry Laboratory, CHEM 475 Biochemistry II, CHEM 476 Advanced Topics in Biochemistry or CHEM 492 Advanced Topics in Chemistry

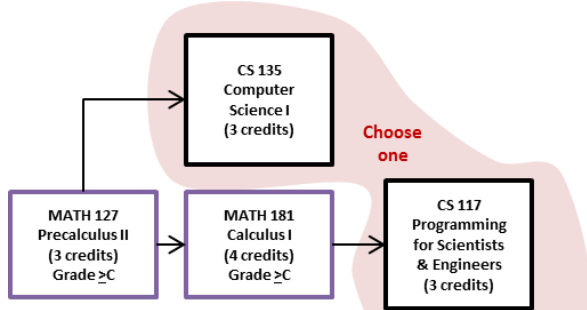
*****Of the 120 credits required for graduation, 80 or more must be in courses offered by the College of Sciences and/or the College of Engineering

LOWER DIVISION PREREQUISITE COURSE SEQUENCES FOR BA MATH MAJORS

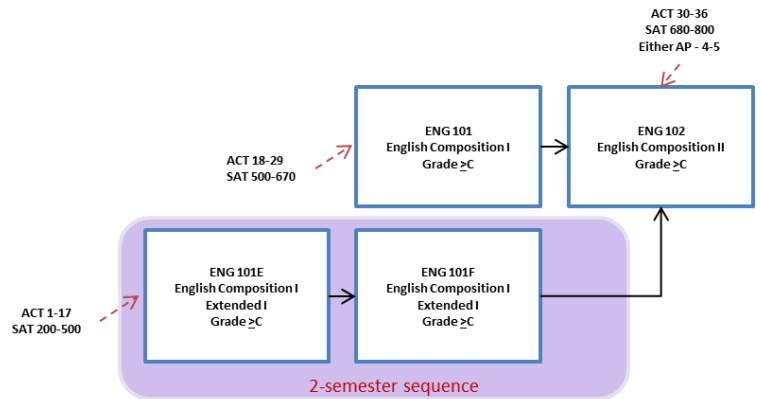
Lower Division Math Sequence



Lower Division Computer Science Sequence



Lower Division English Sequence



Read the UNLV Catalog for Upper Division Course Prerequisites <http://catalog.unlv.edu/>